

HORN ANTENNA FOR WIRELESS COMMUNICATION

SHO5000V002B

- Light-weight (112 g (3.95 oz.) if uncoated)
- High gain within frequency range
- 802.11x WLAN
- Connector locking available
- Powder coating
- Samples available



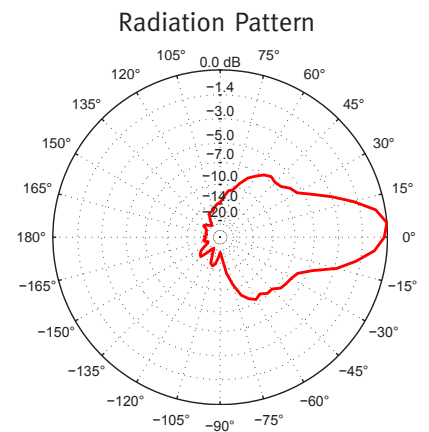
Technical Data

Electrical Properties	
Frequency range	5100 - 5875 MHz
Impedance	50 Ω
VSWR	< 1.5 : 1
Polarization	linear, vertical
Gain	12 dBi
3dB beamwidth horizontal	35°
3dB beamwidth vertical	40°
Downtilt	0°
Front to back ratio	22 dB
Max. power	20 W (CW) @ 20°C

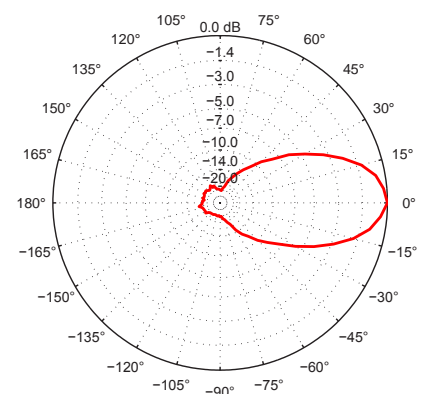
Mechanical Properties	
Dimensions	110 mm x 80 mm x 98 mm (4.33" x 3.15" x 3.86")
Weight	115 g (4.05 oz.)
Radome material	ABS
Radome colour	white
Material	aluminium
Operating temperature range	-40°C to +80°C
Storage temperature range	-40°C to +80°C

Available Type	
	SMA female

Mounting Hardware	
optional	wall mounting bracket



horizontal



vertical

LEGAL DISCLAIMER

The information given in this document shall in no event be regarded as a guarantee of conditions or characteristics. With respect to any examples or hints given herein, any typical values stated herein and/or any information regarding the application of the device, PIDSO hereby disclaims any and all warranties and liabilities of any kind, including without limitation warranties of non-infringement of intellectual property rights of any third party.

PIDSO - Propagation Ideas & Solutions GmbH

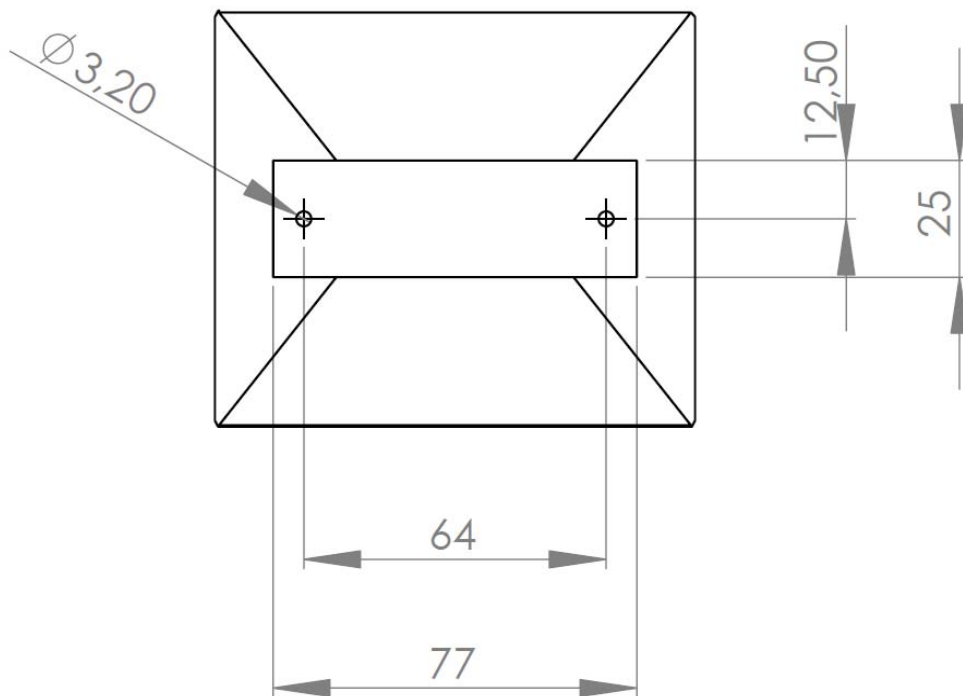
Office Address: Phorugasse 8, A-1040 Wien
Phone: +43 1 25 24 189
Web: www.pidso.com
Email: office@pidso.com

HORN ANTENNA

FOR WIRELESS COMMUNICATION

SHO5000V002B

Dimensions (mm)



LEGAL DISCLAIMER

The information given in this document shall in no event be regarded as a guarantee of conditions or characteristics. With respect to any examples or hints given herein, any typical values stated herein and/or any information regarding the application of the device, PIDSO hereby disclaims any and all warranties and liabilities of any kind, including without limitation warranties of non-infringement of intellectual property rights of any third party.

Document released 06.2010

PIDSO - Propagation Ideas & Solutions GmbH

Office Address: Phorusgasse 8, A-1040 Wien
Phone: +43 1 25 24 189
Web: www.pidso.com
Email: office@pidso.com