

BROADBAND HORN ANTENNA FOR WIRELESS COMMUNICATION

SHO12000V001B

Technical Data

Electrical Properties

Frequency range	1.5 - 12 GHz
Impedance	50 Ω
VSWR	< 2:1 $ S_{11} < -10$ dB
Max. power	10 W (CW)@ 20°C

Radiation characteristics

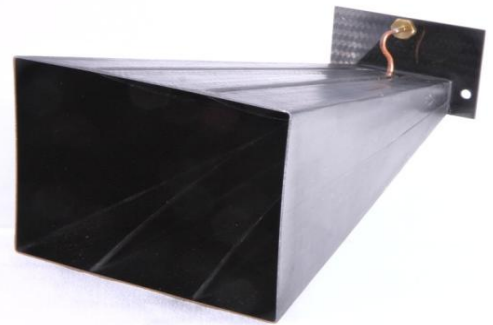
Frequency	1.5 GHz	6 GHz	12 GHz
Gain	5 dBi	14.5 dBi	10.5 dBi
3 dB beamwidth horizontal	88°	26°	34°
3 dB beamwidth vertical	72°	28°	32°
Front to back ratio	6 dB	14.5 dB	10 dB
Polarization	linear, vertical		

Mechanical Properties

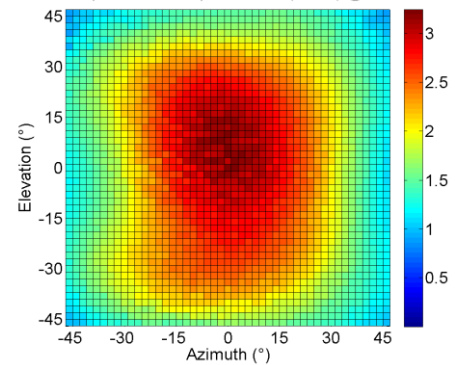
Dimensions	202 x 126 x 102 mm (8" x 5" x 4")
Weight	150 g (0.33 lb)
Radome material	n.a.
Radome colour	n.a.
Material	carbon fiber composite
Operating temperature range	-40°C to + 80°C
Storage temperature range	-40°C to + 80°C

Available Type

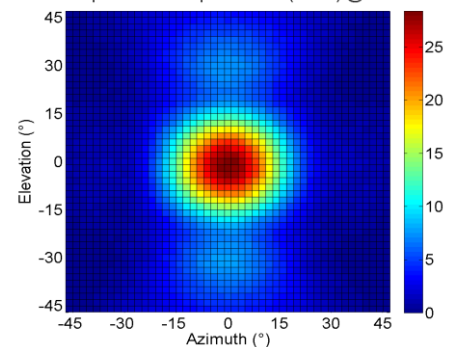
Connector	SMA female
-----------	------------



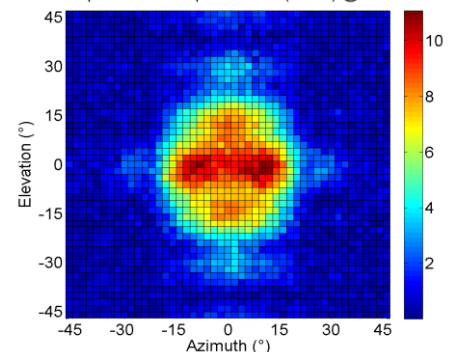
Gain compared to isotropic radiator (linear) @ f=1.50GHz



Gain compared to isotropic radiator (linear) @ f=5.99GHz



Gain compared to isotropic radiator (linear) @ f=12.00GHz



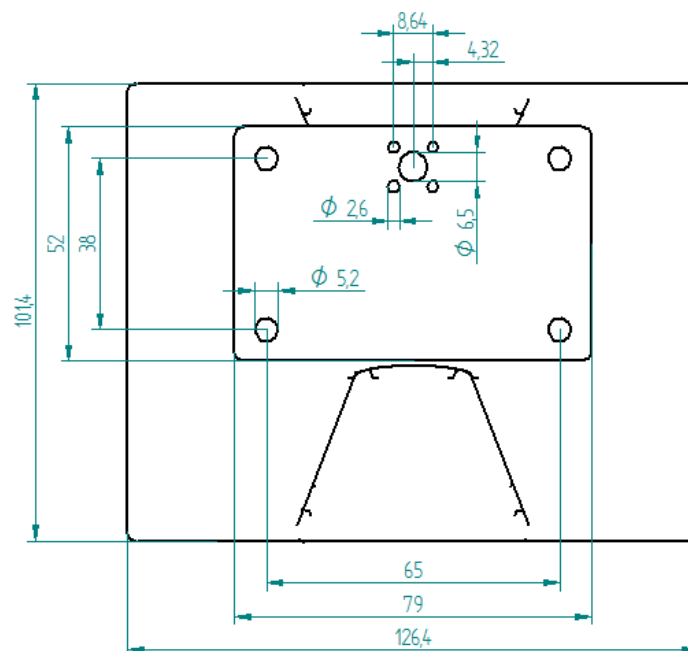
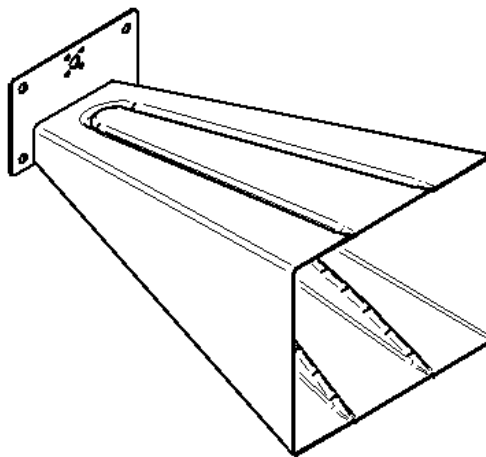
LEGAL DISCLAIMER

The information given in this document shall in no event be regarded as a guarantee of conditions or characteristics. With respect to any examples or hints given herein, any typical values stated herein and/or any information regarding the application of the device, PIDSO hereby disclaims any and all warranties and liabilities of any kind, including without limitation warranties of non-infringement of intellectual property rights of any third party.

BROADBAND HORN ANTENNA FOR WIRELESS COMMUNICATION

SHO12000V001B

Dimensions (mm)



LEGAL DISCLAIMER

The information given in this document shall in no event be regarded as a guarantee of conditions or characteristics. With respect to any examples or hints given herein, any typical values stated herein and/or any information regarding the application of the device, PIDSO hereby disclaims any and all warranties and liabilities of any kind, including without limitation warranties of non-infringement of intellectual property rights of any third party.